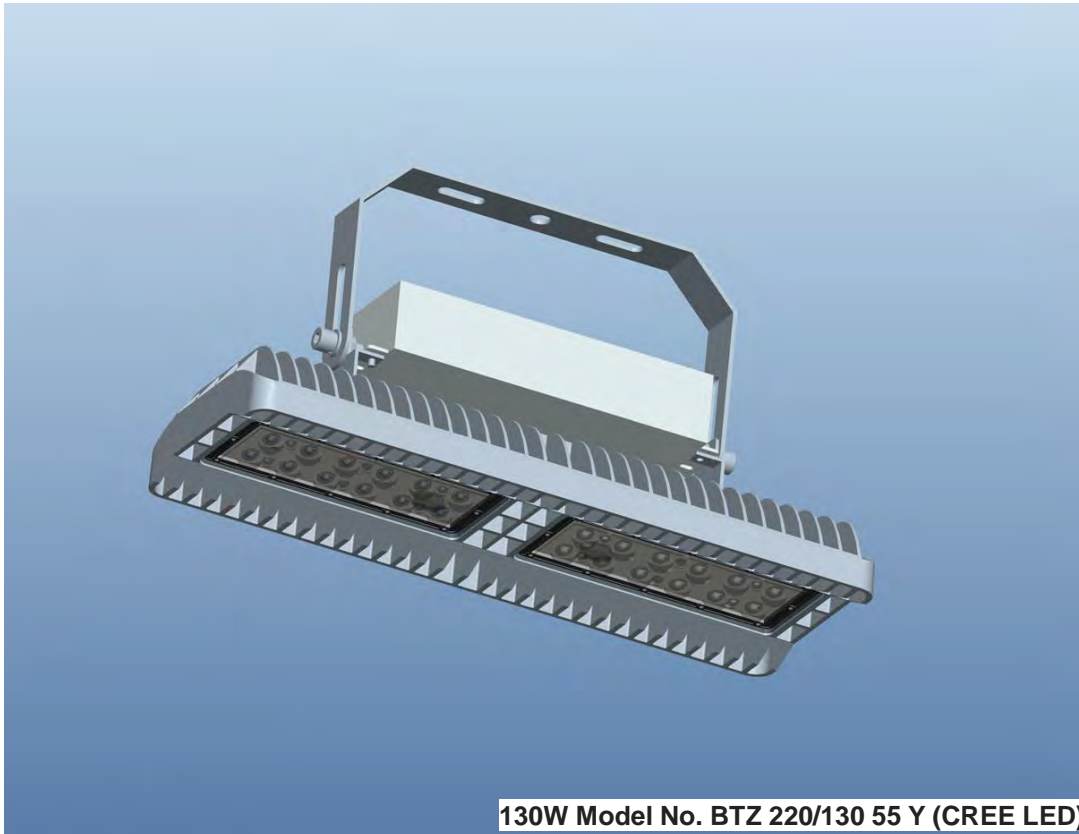


130W Reliable High Power LED Modular outdoor light



Features:

The BTZ series has an upgraded casing in keeping with modern design .

Manufactured from high thermal conductivity magnesium alloy .

Light weight magnesium alloy to reduce static and inertia loads

Reduced surface area to reduced wind loading which enables it to be retrofit to existing poles without fear of exceeding maximum rated pole top wind shear

Carefully designed and rated cooling fins ensure thermal management by natural convection.

The matching of the driver and LED characteristics provides a genuine efficacy of 95lm/W and a very low decay of less than 3% over the first year of operation with a max 15% over 5 years

The robust cast metal work is also anti corrosion IP 65 and dust proof .

Now available in power ratings of 60W to 1000W as well as angles from 30° or 60°

Applications:

High Mast Lighting for indoor/outdoor sporting fields, Harbor Container Terminals, offshore oil rig,

Road Lighting applications (Highway, Traffic Road and Pavement etc.)

Industrial Lighting (Golf Course ,Tennis Court & Stadium etc)



Specifications

PICTURE					
POWER	60W	130W	240W	400W	520W
LUMINOUS FLUX	4800LM	12350LM	24700LM	38000LM	50000LM
INPUT VOLTAGE	100-277V, 50/60Hz	100-277V, 50/60Hz	100-277V, 50/60Hz	100-277V, 50/60Hz	100-277V, 50/60Hz
CCT	5000-6000K	5000-6000K	5000-6000K	5000-6000K	5000-6000K
BEAM ANGLE	60° /100°	60° /100°	60° /100°	60° /100°	60° /100°
LIGHT SOURCE	LG LED	CREE/LG LED	CREE/LG LED	CREE/LG LED	CREE/LG LED
CRI	≥ 70	≥ 70	≥ 70	≥ 70	≥ 70
PF	≥ 0.95	≥ 0.95	≥ 0.95	≥ 0.95	≥ 0.95
IP Rating	IP65	IP65	IP65	IP65	IP65
WORKING TEMP.	-40° C~+50° C	-40° C~+50° C	-40° C~+50° C	-40° C~+50° C	-40° C~+50° C
WARRANTY	5 Years	5 Years	5 Years	5 Years	5 Years
NET. WEIGHT	3.1kg	3.1kg	7.2KG	10.9KG	14.7KG
INSTALL HEIGHT	6-10m	6-10m	10-30m	20-40m	20-40m
REPLACING TRADITIONAL	200-400W HPS 	200-400W HPS 	600-800W HPS 	1000-1500WHPS 	2000-3500W HPS
Diagram	388*140*203mm 	388*140*203mm 	388*290*203mm 	388*440*203mm 	388*580*203mm
Light Distribution Curve					

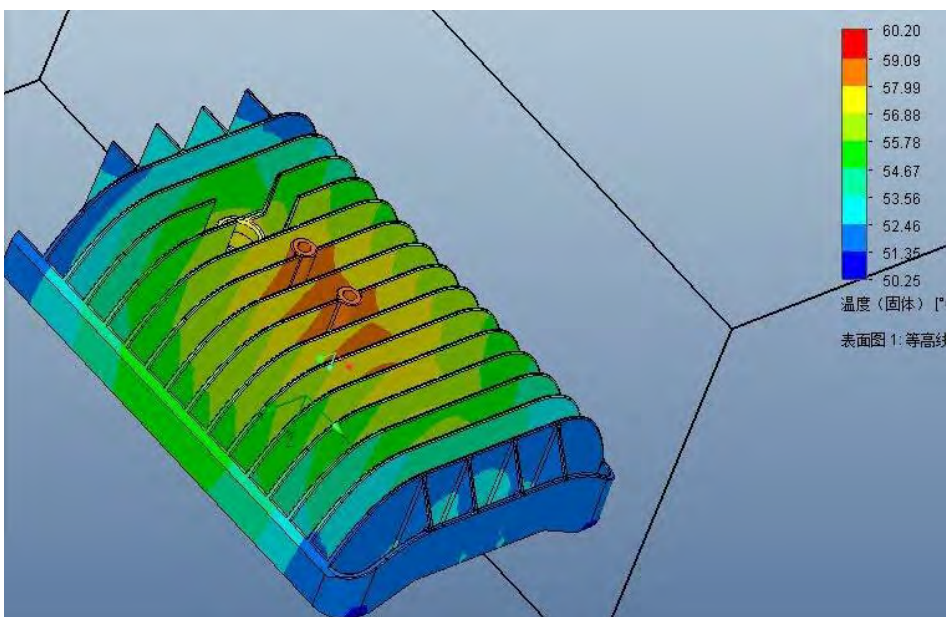


Advantages

1. The lowest total cost solution for good quality and reliable high power LED outdoor lights.
2. Industry-leading thermal management
3. Operating temperature range: from below 40 Celsius degree to 50 Celsius degree.
4. The LED modular contain no any mercury or lead, no UV rays.
5. Directional light means good easy lighting design with no light pollution, dark sky compliance.
6. Higher luminous efficacy compared to similar models of others.
7. Lighter and thinner compared to similar models, lower the wind load even 35 meters high
8. Reduce energy costs up to 90% compared to traditional lamps
9. Able to be operated in harsh high temperature, moist environments.
10. 5 years warranty and long life expectancy, reduce maintenance costs up to 90%,

Parts are available so that they can be refurbished and not discarded at the end of the service life

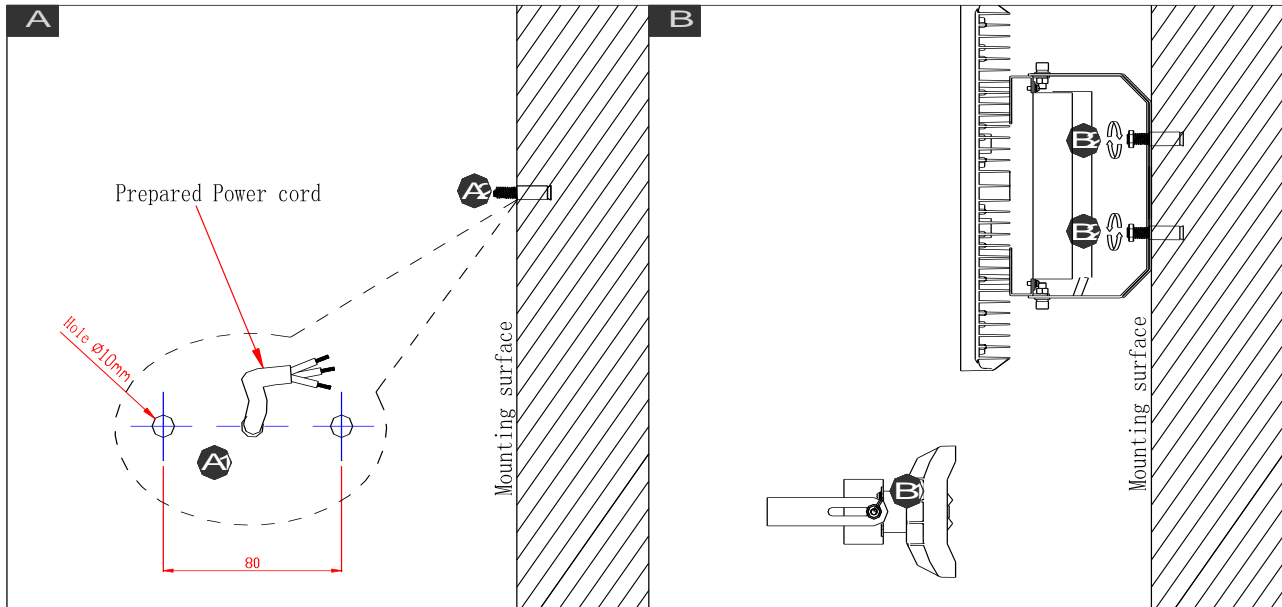
Half fixture heat dissipation simulation



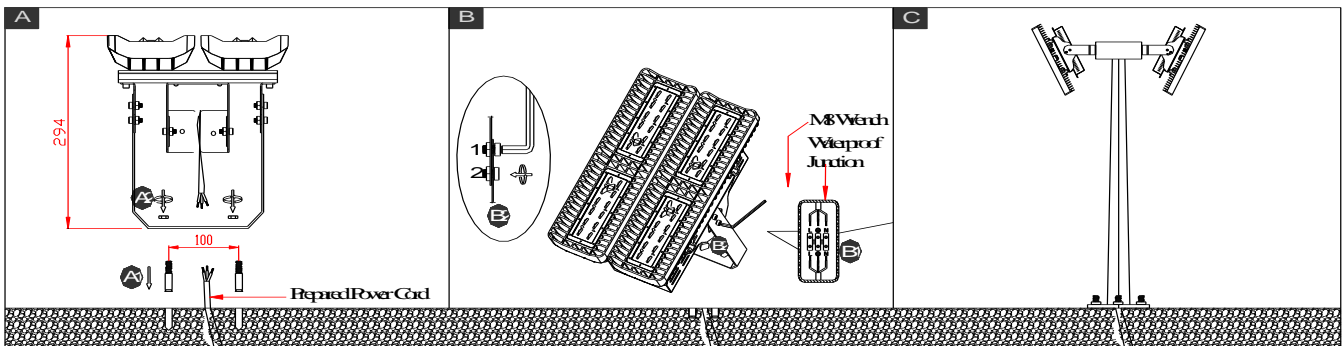
Good quality makes perfect

Good heat sink
+
High efficiency
+
Anti-corrosion
+
IP 65 waterproof
+
Dust-proof
+
Reliable driver
↓
Long lifespan
+
Energy saving
+
Lower cost

Easy Installation (Mounting type for example)

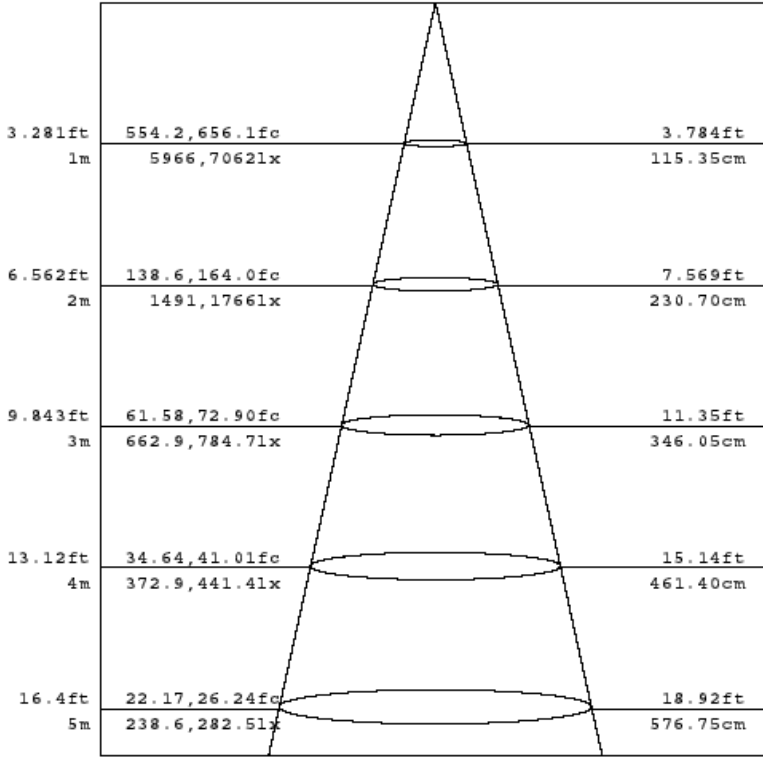


1. Wiring should be installed by a qualified electrician .The brown is active wire (L). The blue wire is neutral (N) The yellow/ green line corresponds to the connection in the earthing terminal. If it is necessary to make connections on the outside ensure a waterproof junction box is used of more than IP65 waterproof function. The installer is responsible for all terminals or waterproof connectors.
2. Drill 2 installation holes with 100mm distance on the specific location (10 mm diameter), push M8X80 expansion screw into hole, as in picture B1. Thread the power cord through installation bracket's hole, then fix the bracket into the prepared expansion screws and locked it, as in picture B2. Then turn on.





Light Distribution Curve



Test: 130W High Mast

P: 120.7W,

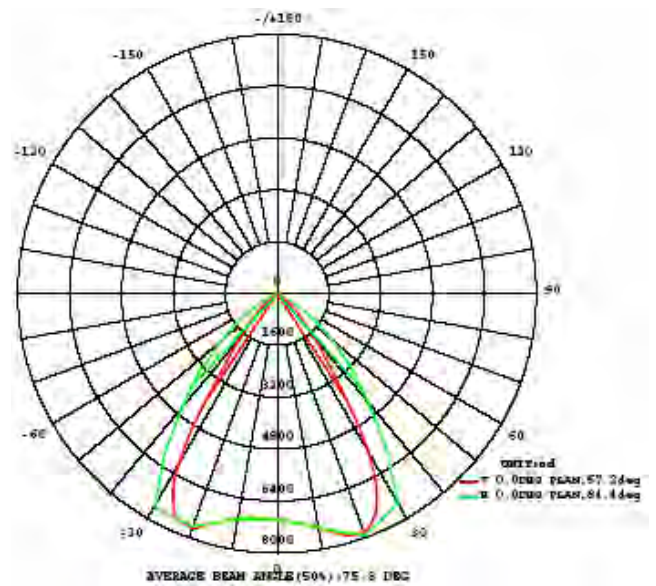
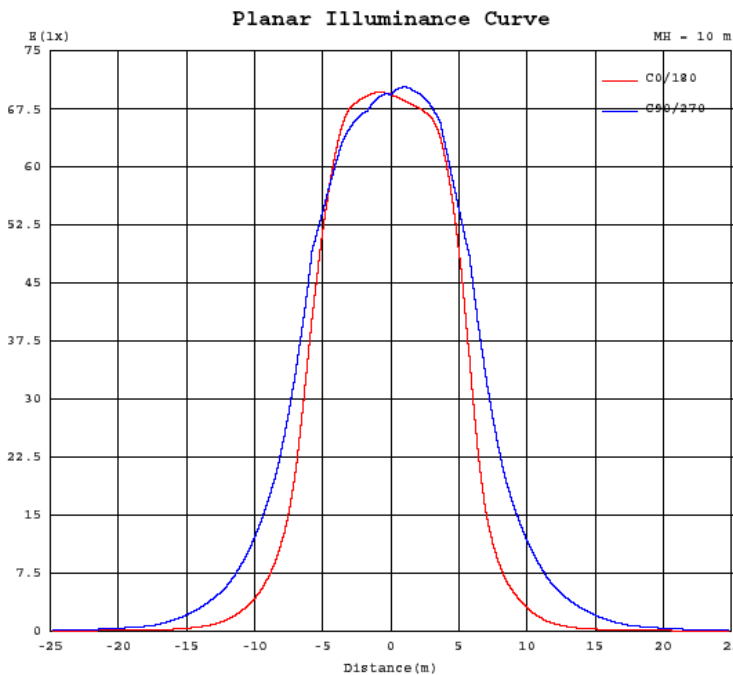
voltage: 220V / 277V

PF:0.9459

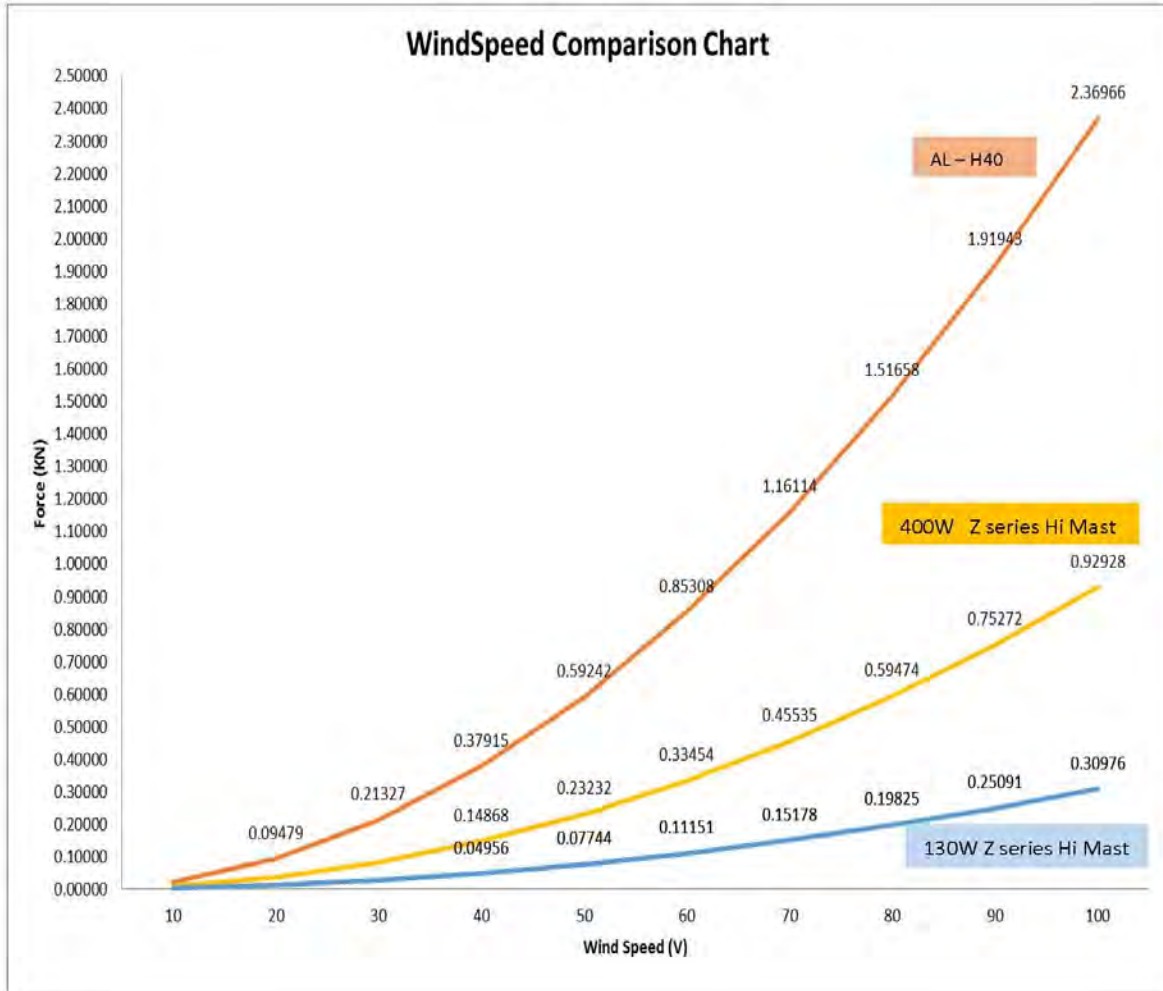
Flux Luminous: 11870lm

Test distance: 12.35m

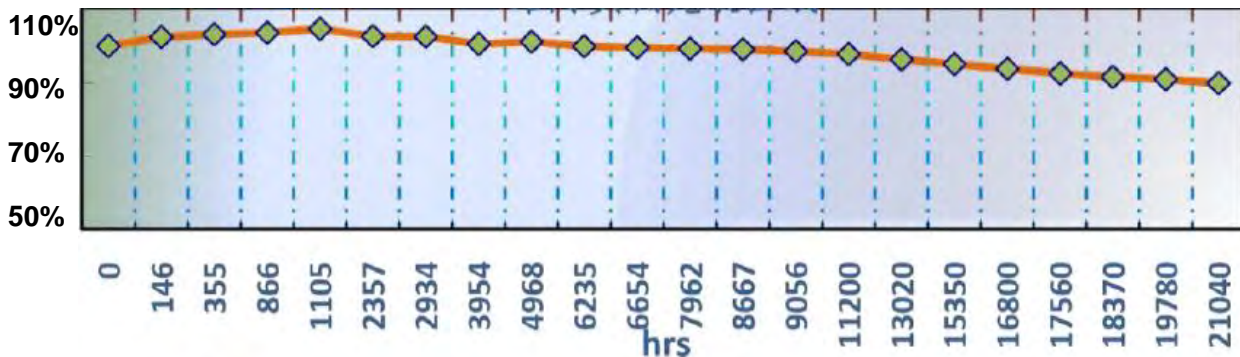
Note: The Curves indicate the illuminated area and the average illumination when the luminaire is at different distance.

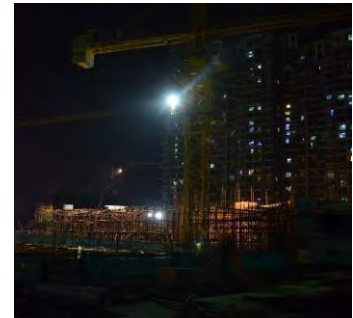


Wind load Curve



Luminous Flux Maintenance Chart





In this application we used 400W on the construction plant and it perfectly replaced the existing traditional 3500W HPS



Advanced Optronics Devices Australia

Unit 4/30 Park Road, Mulgrave, NSW 2756, Australia

TECHNICAL DATA SHEET

